

**Product: FIXED EXECUTIVE DESK/TABLE**

*Altagama* is a product designed for executive and meeting areas. The base consists of legs with 11 cm (4''3/8) width and 15 mm (5/8) thick profile and it is available in different finishes: Steel anodized Aluminium, matt Bronze and Pewter Quarz.

Bases are connected with a 11 cm (4''3/8) thick modesty panel which can be used for cables management, accessible from a top access in leather or veneer.

The tops can be in Veneer/Glass, Soft Leather/Glass, Time/Glass in a unique mix of materials and colors.



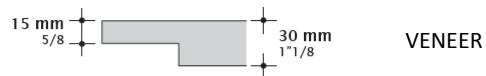
**TECHNICAL FEATURES**

**Top:**

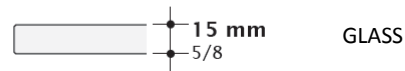
**Veneer:** the tops are made of wood particles, wood veneer, leather or Time coated.

**Soft Leather or Time.**

**Glass:** the tops are made with clear glass 15 mm (5/8) thick.



VENEER



GLASS

Available in the following versions:

- Clear glass + Time.
- Clear glass + Soft Leather.
- Clear glass + Veneer.

Side tops are only in clear glass.

**Legs:**

**Steel anodized Aluminium.**

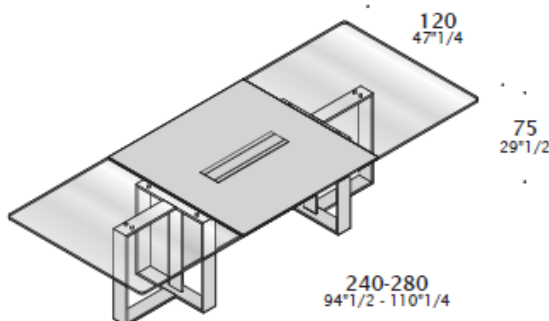
**Luxury metal:** matt Bronze, Pewter Quarz.

**Modesty panel:** Veneer, Soft Leather, Time.

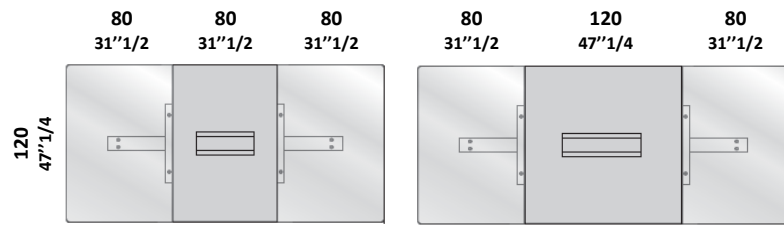
**DIMENSIONS**

Options:

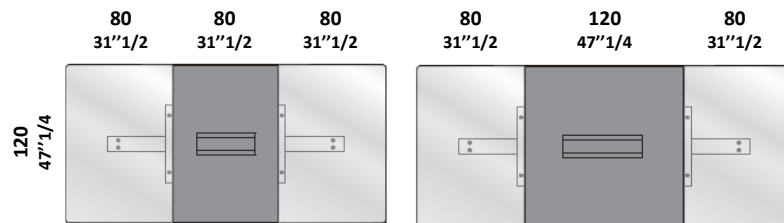
- H 75 + W 240 + D 120
- H 75 + W 280 + D 120



**Types of available tops.**



Veneer + Clear glass.



Soft Leather or Time + Clear glass.

**FINISHES**

**Top:**

**Veneer:** Magnolia, White Colour Fir, Nuvola stained Oak, Natural Oak 2016, American Walnut, Eucalyptus, Wengè, Zebrano Brown, Ebano.

**Soft Leather or Time.**

**Legs:** Steel anodized Aluminium; matt Bronze, Pewter Quarz.

**Product: FIXED EXECUTIVE DESK**

*Altagama* is a product designed for executive and meeting areas. The base consists of legs with 11 cm (4''3/8) width and 15 mm (5/8) thick profile and it is available in different finishes: Steel anodized Aluminium, matt Bronze and Pewter Quarz.

Bases are connected with a 11 cm (4''3/8) thick modesty panel which can be used for cables management, accessible from a top access in leather or veneer. The tops can be in Veneer, Time, Leather, Veneer/Time, Veneer/Leather, Glass/Time, Glass/Leather in a unique mix of materials and colors.



**TECHNICAL FEATURES**

**Top:**

**Veneer:** the tops are made of wood particles, wood veneer, leather or Time coated.

**Soft Leather or Time.**

**Glass:** tops in back-lacquered etched glass.

Available in the following versions:

- Only wood.
- Only Soft Leather or Time.
- Soft Leather/ Time + Veneer.
- Soft Leather/ Time + Back-lacquered etched glass.

**Legs:**

**Steel anodized Aluminium.**

**Luxury metal:** matt Bronze, Pewter Quarz.

**Modesty panel:** Veneer, Soft Leather, Time.

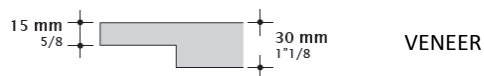
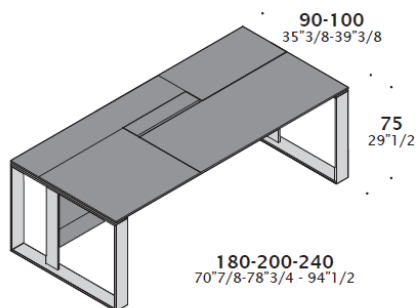
**DIMENSIONS**

Options:

H 75 + W 180 + D 90

H 75 + W 200 + D 100

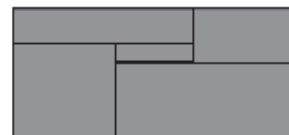
H 75 + W 240 + D 100



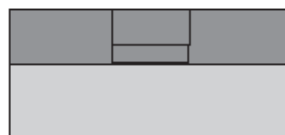
**Types of available tops.**



Veneer.



Leather or Time.



Leather or Time + Veneer.



Leather or Time + back-lacquered etched glass.

**FINISHES**

**Top:**

**Veneer:** Magnolia, White Colour Fir, Nuvola stained Oak, Natural Oak 2016, American Walnut, Eucalyptus, Wengè, Zebrano Brown, Ebano.

**Soft Leather or Time.**

**Back-lacquered etched glass:** White, Silver, Titanio, Brown, Alfa Red.

**Legs:** Steel anodized Aluminium, matt Bronze, Pewter Quarz.

**Product: LIFE SIT&STAND DESKS**

*Altagama* is a product designed for executive and meeting areas. The base consists of legs with 11 cm (4<sup>3</sup>/<sub>8</sub>) width and 15 mm (5/8) thick profile and it is available in different finishes: Steel anodized Aluminium, matt Bronze and Pewter Quarz.

Bases are connected with a 11 cm (4<sup>3</sup>/<sub>8</sub>) thick modesty panel which can be used for cables management, accessible from a top access in leather or veneer. The tops can be in Veneer, Time, Veneer/Leather, in a unique mix of materials and colors. Beside standard H75 (29<sup>1</sup>/<sub>2</sub>) fix desk it is possible to order Sit&Stand version with top adjustable in height (from 75 cm - 29<sup>1</sup>/<sub>2</sub> to 125 cm - 49<sup>1</sup>/<sub>4</sub>) according to the well-known ergonomic regulations.

To Sit&tand version, it is possible to add an open front service unit with side drawers and return.



VENEER/LEATHER

**TECHNICAL FEATURES**

**Desk top:**

**Veneer/Leather:** the tops are made of wood particles, wood veneer or leather coated.

**Soft Leather or Time.**

Available in the following versions:

- Only wood.
- Only Time.
- Veneer + Soft Leather.

**Return top:**

**Veneer:** the tops are made of wood particles, wood veneer coated.

**Soft Leather or Time.**

Desk and return tops can be adjustable in height through Sit&Stand mechanism.

**Service unit structure:** Sablè lacquered or Veneer.

**Legs:**

**Steel anodized Aluminium.**

**Luxury metal:** matt Bronze, Pewter Quarz.

**Modesty panel and side panels:**

Sablè lacquered, Veneer, Time.

**FINISHES**

**Desk top:**

**Veneer:** Magnolia, White Colour Fir, Nuvola stained Oak, Natural Oak 2016, American Walnut, Eucalyptus, Wengè, Zebrano Brown, Ebano.

**Soft Leather or Time.**

**Return top:**

**Veneer:** see top veneers.

**Soft Leather or Academia Time.**

**Storage unit structure:**

**Sablè lacquered,** available in different sample collection colours.

**Veneer:** see top veneers.

**Modesty panel:**

**Sablè lacquered,** available in different sample collection colours.

**Veneer:** see top veneers.

**Time.**

**Lateral panels:**

**Sablè lacquered,** available in different sample collection colours.

**Veneer:** see top veneers.

**Time.**

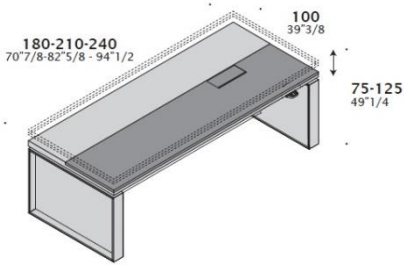
**Legs:**

**Steel anodized Aluminium.**

**Luxury metal:** matt Bronze, Pewter Quarz.

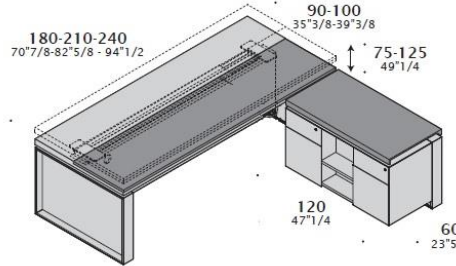
**DIMENSIONS**

Top height adjustment: from 75 cm (29"1/2) to 125 (49"1/4) cm.



Desk top height adjustable.

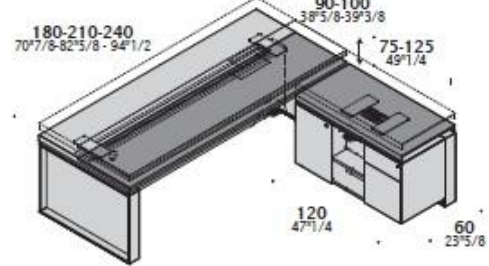
Options:  
 W 180 + D 90  
 W 210 + D 100  
 W 240 + D 100  
 H always 75 <->125



Desk height adjustable, return fixed.

Options:  
 W 180 + D 90  
 W 210 + D 100  
 W 240 + D 100  
 H always 75 <->125

Service unit:  
 W 120  
 D 60  
 H 75 <-> 125

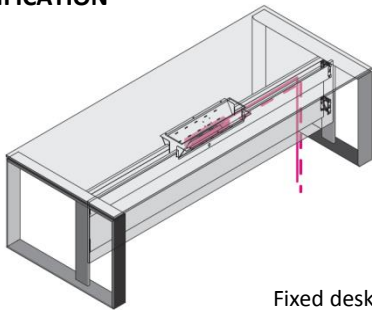


Desk and return height adjustable.

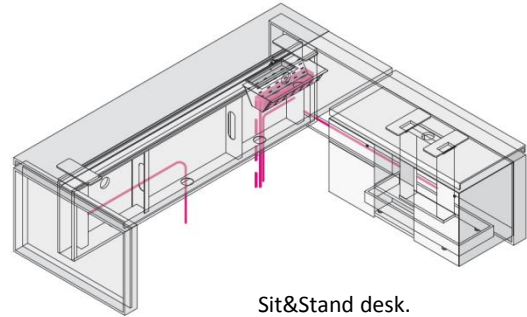
Options:  
 W 180 + D 90  
 W 210 + D 100  
 W 240 + D 100  
 H always 75 <->125

Service unit:  
 W 120  
 D 60  
 H 75 <-> 125

**ELECTRIFICATION**

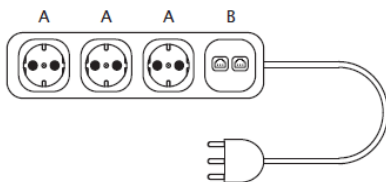


Fixed desk.

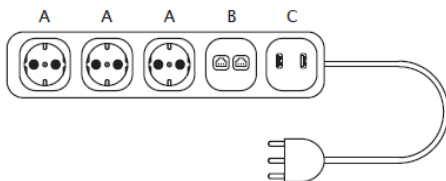


Sit&Stand desk.

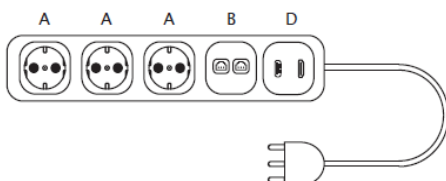
**TYPE 1**



**TYPE 2**



**TYPE 3**



**Multiple sockets**

Sockets have an electric cable with Schuko plug (length 3 meters).

- A**  
Schuko - UE socket
- B**  
n° 2 RJ45 socket cat. 6 (data/telephone)
- C**  
n° 2 USB charger socket 5V
- D**  
n° 1 HDMI socket (video) + n° 1 USB socket

- On request we can also supply international sockets